



分流阀
用于正压/负压气力输送

Diverter Valves
for Pressure/Vacuum Pneumatic Conveying

这个分流阀 (DV) 是为了保持生产过程平稳切换, 由于减小了偏离角, 降低了压力, 使维护成本最小化, 提高了气力输送系统的效率。

The 2-Ways Diverter Valves VDP are designed to keep the process operation running smoothly, to minimize maintenance costs and improve the efficiency of the pneumatic conveying systems thanks to a reduced pressure drop because of reduced deviation angle.

它可用于正压或负压的稀相或密相输送, 分流阀经过优化和测试, 最大压力可达到2.0 barg。它允许物料从一个来源地输送到两个目的地, 使用更多的分流器串联在一起, 它将允许到达更多的目的地。它可以输送颗粒和粗粉或细粉。

It has been designed for pressure or vacuum, both dilute and dense phase, conveying being designed and tested tight up to max 2.0 barg. It allows conveying from one source to two destinations, putting more diverters in serial, it will allow to reach more destinations. It allows conveying pellets and coarse or fine powders.

对于与产品直接接触的静态部件材料为不锈钢 AISI 304, 移动管主材质为硬化铝合金。

Material in contact with the product is stainless steel AISI 304 for the static parts and hardened aluminum alloy for the swiveling pipe.

只有15°的转向角使分流阀内部零件的磨损最小, 正如分流阀本身一样, 零件都比较便宜, 例如弯管。这简单的结构使得连续运行时稳定, 特别是在一些满负荷工况下, 可靠和免维护的特性对于工厂运行的经济性至关重要。

A diverter angle of 15° only grants a minimal wearing of the inner parts components leaving the diverting to static and less expensive parts as pipe-bends than the diverter itself. This grants a continuous stable operation especially in all heavy-duty processes where reliable and maintenance free operations are essential for economically convenient plant operation.



优点:

- 执行可靠;
- 易于安装;
- 完全预布线,即插即用;
- 稀相和密相输送,输送压力高达2.0 barg;
- 旋转管特殊涂层处理;
- 快速分流移;
- 轻便;
- 内部易清洁。

Benefits:

- Reliable execution;
- Easy installation;
- Completely pre-wired plug&play;
- Dilute and dense phase conveying tight up to 2,0 barg;
- Swivelling pipe hard coated;
- Quick diversion;
- Lightweight;
- Inner easy accessibility.

标准配置:

- 标准分流器阀,包括:
 - 壳体和旋转管;
 - 气动线性执行器;
 - 稳定2线圈电磁阀;
 - 2个微型开关直接位置检测;
 - 所有电线和气动线管连接至接线盒;
 - 支撑支架。

Standard Supply:

- Standard Diverter Valve consisting of:
 - Case and rotating pipe;
 - Pneumatic linear actuator;
 - Solenoid valve bi-stable 2 coils;
 - 2 position micro-switches (straight-deviated) ;
 - All parts are electrically wired to a socket and pneumatically connected;
 - Supporting bracket.

选项:

- 变径接头,用于连接不同规格的输送线。

Options:

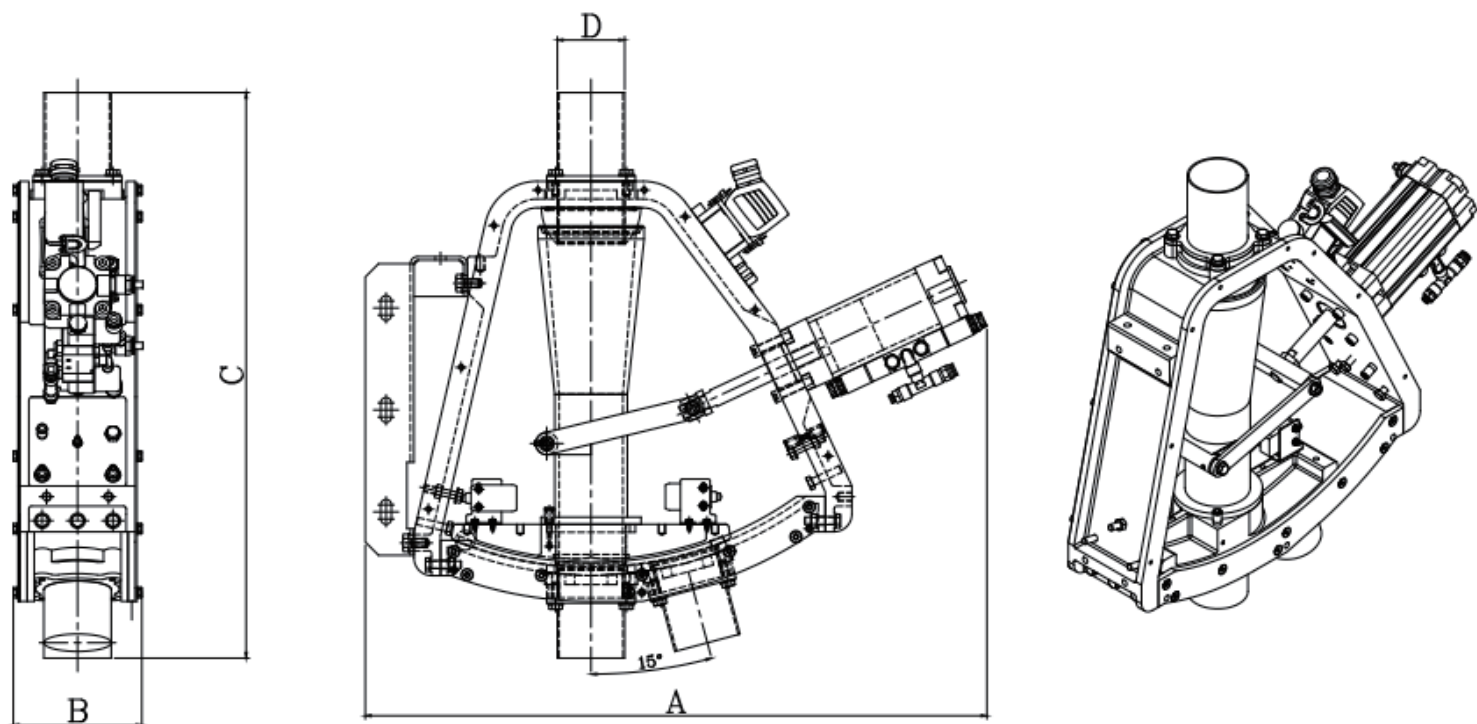
- Adaptor nozzle for connection to different conveying lines sizes.

操作数据:

- 电气部件:适合安装在22区 (II 3 D);
- 控制电压:24 V DC或230 V AC;
- 信号:无触点电势;
- 压缩空气:7 barg;
- 表面处理:硬涂层铝合金或铬涂层;
- 与产品接触的材料:AISI 304涂层/硬质合金。

Operation Data:

- Electrical parts : suitable for installation in area 22 (II 3 D);
- Control voltage : 24 V DC or 230 V AC;
- Signals : Potential free contacts;
- Compressed air : 7 barg;
- Surfaces treatments : Hard coated Al Alloy or Cr Coating;
- Material in touch with the product : AISI 304 Coated/hard All Alloy.



	管规格 Line Size DN	管外径 D OD Pipe	A	B	C	重量 Weight (Kg)
Type	From To	From To				
DV076	50	60.3	700	145	640	24
	65	76.1				
	80	88.9				
DV088	80	88.9	700	145	680	29
	90	101.6				
DV114	100	114.3	990	215	985	63
	125	139.7				

所有测量单位为mm
All measures in mm